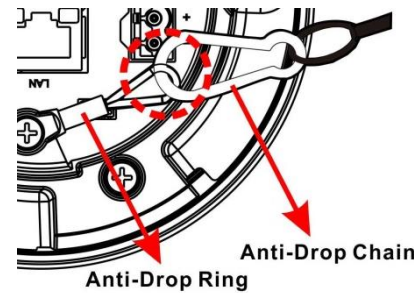


Orion DX 3 Speed Dome Quick Guide

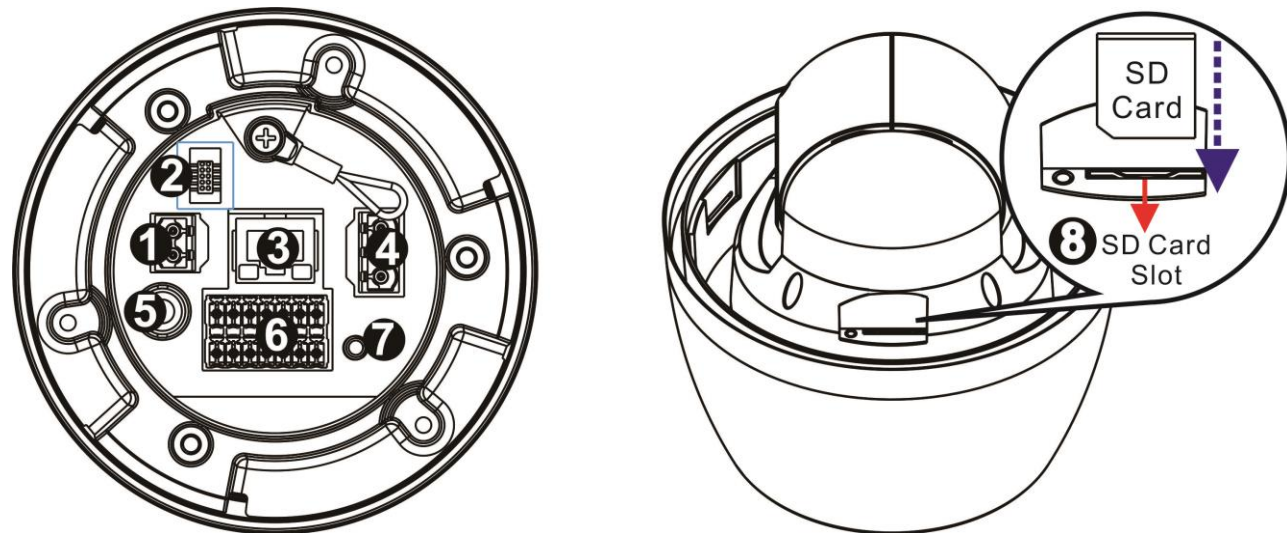
This guide is for quick installing and connecting the Orion DX 3 Network PTZ Camera. For more details, please refer to the User's Manual.

Installation Notices

- This camera must be installed by qualified personnel and the installation should conform to all local codes.
- This camera contains replaceable batteries. To prevent explosion risks, confirm the battery type before replacement. Dispose of used batteries in accordance with the local regulations.
- To use an external power supply, please contact the camera manufacturer to confirm that the power supply uses the same power specifications as the camera. The power supply must comply with the LPS requirements.
- In case of unexpected damages, do not connect DC12V power jack and AC24V power connector at the same time.
- For safety concern, please hook up the camera with the anti-drop chain of the pendant when installing the camera. For more information about pendant and anti-drop chain, please contact the camera manufacturer.



Camera's Connectors



No.	Connector	Definition
1	Power Connector (DC12V)	DC12V power connection
2	Console Connector	This connector is used to burn firmware into the camera when the camera is returned for repair/maintenance. Please contact the camera manufacturer for further information.
3	RJ-45 Port	For network and PoE+ connections
4	Power Connector (AC24V)	AC24V power connection
5	BNC	For analog video output
6	Audio/Alarm I/O & RS-485 Connector*	Audio/Alarm I/O & RS-485 connection
7	Reset Button	Press the button with a proper tool for at least 20 seconds to restore the system.
8	SD Card Slot	Open the dome cover to reveal the SD Card Slot. Insert the SD card into the card slot to store videos and snapshots. Do not remove the SD card when the camera is powered on.

*Do NOT connect external power supply to the alarm I/O connector of the camera.



NOTE: It is not recommended to record with the SD card for 24/7 continuously, as it may not be able to support long term continuous data read/write. Please contact the manufacturer of the SD card for information regarding the reliability and the life expectancy.

Power Connection

To power up the camera, connect the DC12V or AC24V power adaptor to the power connector of the camera and the power outlet. Refer to the diagram and pin definition below for AC24V power connection.

Pin	Definition
1	AC24V L
2	GND
3	AC24V N

Alternatively, users can use an Ethernet cable and connect it to the RJ-45 port of the camera and an IEEE 802.3at (PoE+) 2-Pair 30W switch.

Zero Downtime Power Switching (ZDT)

When users connect DC12V power jack and the RJ-45 port at the same time, the power input comes from the DC12V connector. If the DC12V power source fails, the camera will switch power input seamlessly to the RJ-45 port until the DC12V power source is restored.

Ethernet Cable Connection

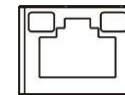
Connect one end of the Ethernet cable to the RJ-45 connector of the camera, and plug the other end of the cable to the network switch or PC.



NOTE: In some cases, Ethernet crossover cable might be needed when connecting the camera directly to the PC.



NOTE: Check the status of the link indicator and activity indicator LEDs. If the LEDs are unlit, please check the LAN connection.



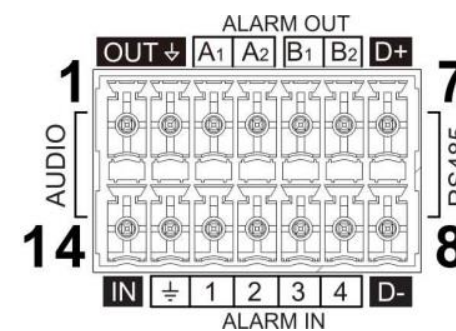
Green Link Light indicates good network connection.
Orange Activity Light flashes for network activity indication.



NOTE: The ITE is to be connected only to PoE networks without routing to the outside plant or equivalent description.

Audio/Alarm I/O & RS-485 Connection

Please refer to the diagram and pin definition tables below for audio/alarm I/O & RS-485 connection.



Pin	Definition	Pin	Definition	Pin	Definition	Pin	Definition
1	Audio Out	5	Alarm Out B1	9	Alarm In 4	13	GND (Alarm I/O and RS-485)
2	GND (Audio I/O)	6	Alarm Out B2	10	Alarm In 3	14	Audio In
3	Alarm Out A1	7	RS-485 D+	11	Alarm In 2		
4	Alarm Out A2	8	RS-485 D-	12	Alarm In 1		

Before Login to the Camera

A client program will be automatically installed to the PC when connecting to the camera. Before logging in to the camera, please ensure downloading the ActiveX control is allowed by either changing the ActiveX controls and plug-ins or setting Internet's security level to default. For further details, please refer to the User's Manual.

ActiveX Controls and Plug-ins Settings	Internet Security Level
Step 1: Start the Internet Explorer (IE). Step 2: Select <Tools> from the main menu of the browser. Then click on <Internet Options>. Step 3: Click on the <Security> tab and select <Internet>, and click on <Custom level> to change ActiveX settings. Step 4: Set "ActiveX controls and plug-ins" items to <Prompt> or <Enable>.	Step 1: Start the IE Internet Explorer (IE). Step 2: Select <Tools> from the main menu of the browser. Then click on <Internet Options>. Step 3: Click on the <Security> tab and select <Internet>. Step 4: Down the page, click on <Default Level> and <OK> to confirm the setting. Close the browser window, and open a new one later for accessing the IP camera.



NOTE: For the system requirement of the web browser, it is required to connect the camera with Microsoft Internet Explorer 10.0 or later version to ensure smooth operation.

Camera Login

The default IP address of the camera is: **192.168.0.250**. Therefore, to access the camera for the first time, please set the IP address of the PC as: 192.168.0.XXX; for example:

IP Address: 192.168.0.100

Subnet Mask: 255.255.255.0

Login ID & Password

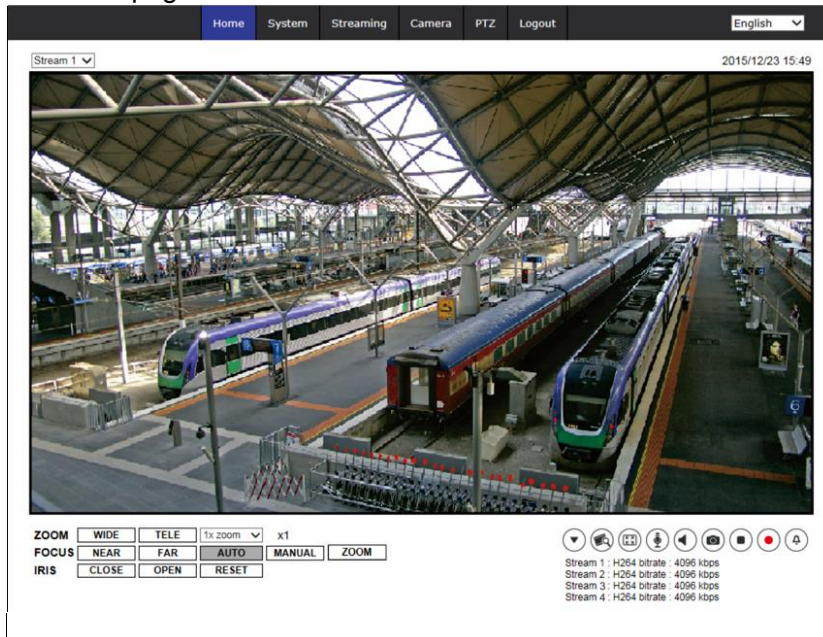
- Key in the camera's IP address in the URL bar of the web browser window and hit "Enter".
- Enter the default username (**Admin**) and password (**1234**) in the prompt request dialogue. Note that username is case sensitive.

Install the ActiveX Control

- After connecting to the camera, the request for installing the ActiveX control will appear just below the URL bar.
- Right click on the information bar and click on <Install ActiveX Control...> to permit ActiveX control installation.
- In the pop-up security warning window, click on <Install> to start downloading DCViewer software on the PC.
- Click on <Finish> after DCViewer installation is completed.

Browser-based Viewer

The main page of the IP camera user interface is as shown below.



Ernitec Orion DX 3 Network PTZ Camera Quick Guide

Ver. 1