



## Low Light Speed Dome

### Orion DX 4 Series

- IMX327 Sensor 0.18 Lux Colour
- 30fps @ 1080p
- High Dynamic Range 120dB
- EIS Ernitec Image Stabilization
- 30x P-Iris Zoom Lens
- H.264/H.265
- De-Fog
- PoE + (IEEE 802.3at)
- OnVif Profile S/G/Q support
- 3 year Warranty

### Low light IMX327 Sensor

The Orion DX 4 is a full HD IP speed dome camera featuring Sony's IMX327 Starvis™ back-illuminated pixel technology CMOS image sensor producing a colour sensitivity of 0.18Lux offering a massive improvement in light sensitivity. The dome also includes an integrated motorised 30x optical zoom with autofocus.

### High Dynamic Range

The Orion DX 4 benefits from 120dB Ultra Wide Dynamic Range performance making this dome ideal for surveillance in areas with strong variations in light, for instance close to large windows and entrances or where the sunlight creates both very bright zones and dark shadows.

### Designed For Constant Use

The camera is designed for round-the-clock pan/tilt/zoom operation in outdoor environments, and can be automatically directed to 256 pre-set positions, With endless 360° pan, they enable surveillance of an extremely wide area.

### Hi-POE

Orion DX 4 offers easy and reliable installation with High Power over Ethernet (PoE+ ultra) which simplifies installation since only one cable is needed to carry power as well as video and PTZ controls. The camera mount is designed with easy bayonet mounting enabling connection to the wide range of Ernitec mounting accessories, including ceiling, wall, pole or corner installations.

### Ernitec Image Stabilization

The new Orion DX version 4 is equipped with EIS (Ernitec Image Stabilization) which enables the speed dome to capture objects at distance with very high precision without the image shake you get from other dome cameras.

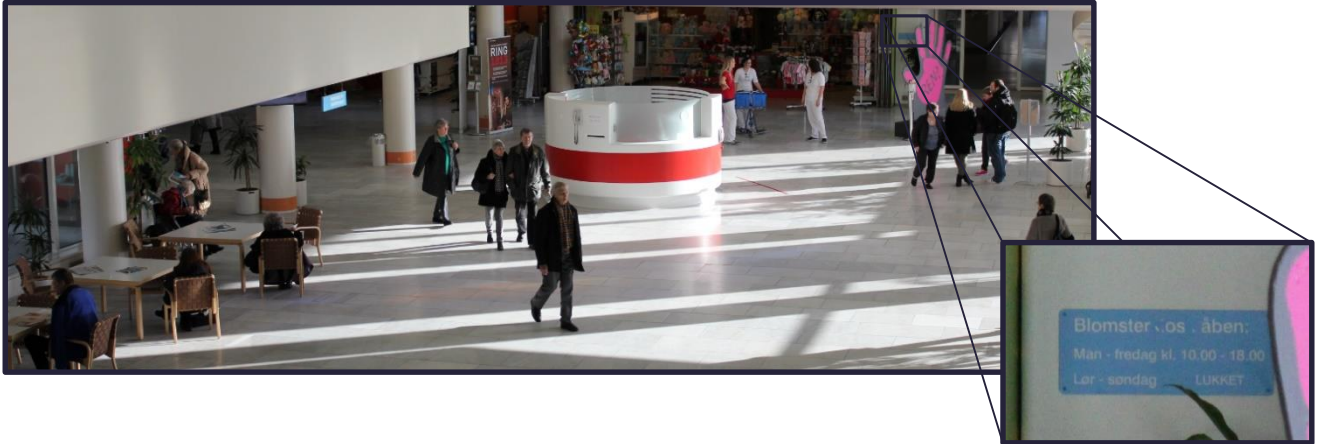
### Environment Protection

Orion DX 3 domes are IP66 protection against dust, rain and snow and can operate in extreme cold temperatures. The cameras' extreme cold control function ensures safe start-up from -40 °C (-40 °F) with a maximum operating temperature of 60°C (-49°F ~ 140°F)

# Ernitec Orion DX Series

## 30x Optical Zoom

Fitted with 30x optical and 12x digital zoom including autofocus lens. Using the tour guard function enables the camera to patrol the area. Whereby the camera can automatically go to different preset positions to check on different areas of a scene. When the camera is fully zoomed out you get a fantastic wide angle overview image from the dome when running full HD.

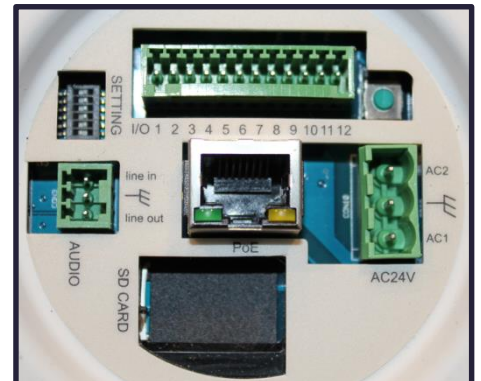


## UWDR (Ultra wide dynamic range)

The domes come fitted as standard with ultras wide dynamic range enabling the dome to be fitted in extreme lighting conditions. With excellent colour reproduction.

## Fast, Reliable and easy installation

The cameras support high Power over Ethernet (PoE) IEEE 802.3at, enabling easy installation. The cameras simply connect to either a PoE-enabled switch or via a PoE mid-span to a switch using one network cable to carrying power, video and PTZ controls.



## Auto Tracking

The cameras support auto tracking, features include; Built-in Video Intelligence Program, Adjustable Maximum Tilt and Pan Angle Setting, Adjustable Detection Area Percentage / Sensitivity, Home Function Support, Guard Timer Setting.

Function Activation by License Key. EDP No: 0070-10015

## Optional Mounting Accessories

### Auto Tracking License

One license per PTZ unit

Part number 0070-10015



### Gooseneck Mount

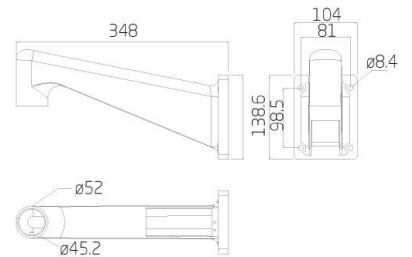
Dimensions: 384×104×136.5 mm

Weight: 1.75 kg

Supplied with rubber washer and 4x M8x12 screw .

Part number 0070-10108

Note: This is our new thread type bracket for the Orion DX4



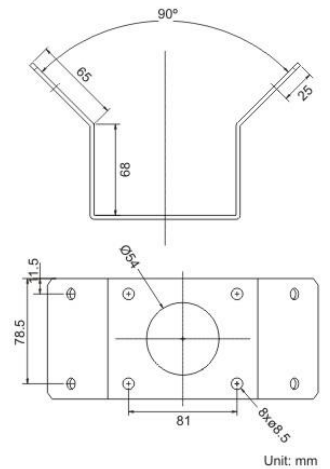
### Corner Plate

For mounting with Mini Gooseneck

Dimensions: 270×166×95 mm

Supplied with washer-8 x4, spring washer-8 x4, M8x16 screw x4 and M8 nut x4.

Part number 0017-05203



Unit: mm

Follow us on



ONVIF

© 2015 Ernitec. All rights reserved  
www.ernitec.com

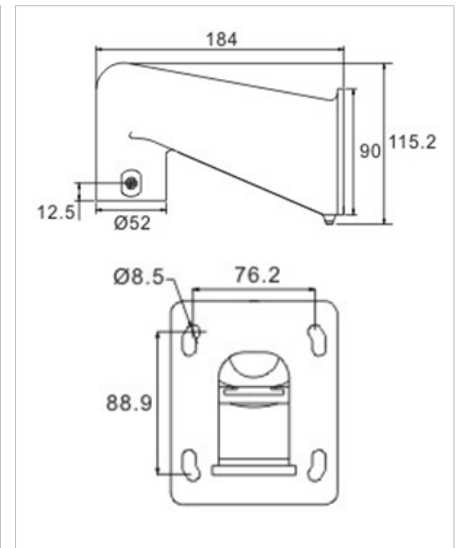
Ernitec  
Tempovej 41  
2750 Ballerup  
Denmark

## Optional Mounting Accessories

### Mini Gooseneck Mount

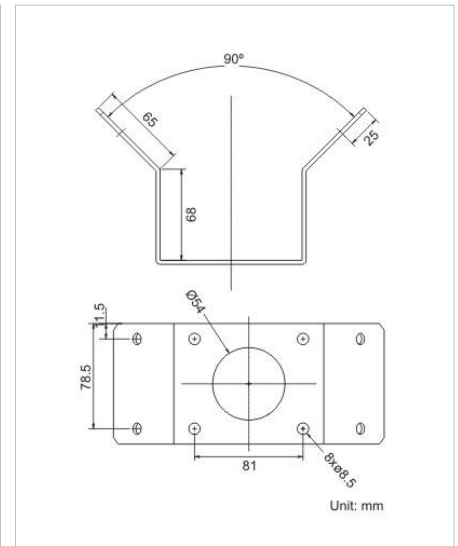
Dimensions: 184×104×115.2 mm  
Weight: 0.6 kg  
Supplied with rubber washer and 4x M8x12 screw .

Note: This bracket is included in the box.



### Mini Corner Plate

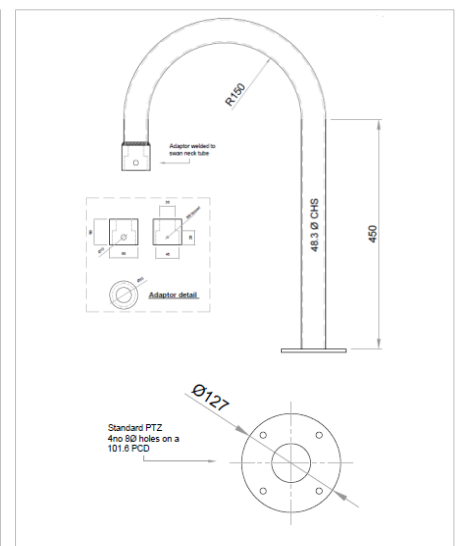
For mounting with Mini Gooseneck  
Dimensions: 270×166×95 mm  
Supplied with washer-8 x4, spring washer-8 x4, M8x16 screw x4 and M8 nut x4.  
Part number 0070-10004



### Swan Neck Pole Mount

Dimensions: 450 mm to Bend  
Diameter: 48.3mm  
Weight: 2.7 kg  
Part number 0070-10109

Note: This is our new thread type bracket for the Orion DX4



Follow us on



ONVIF

© 2015 Ernitec. All rights reserved  
www.ernitec.com

Ernitec  
Tempovej 41  
2750 Ballerup  
Denmark

## Optional Mounting Accessories

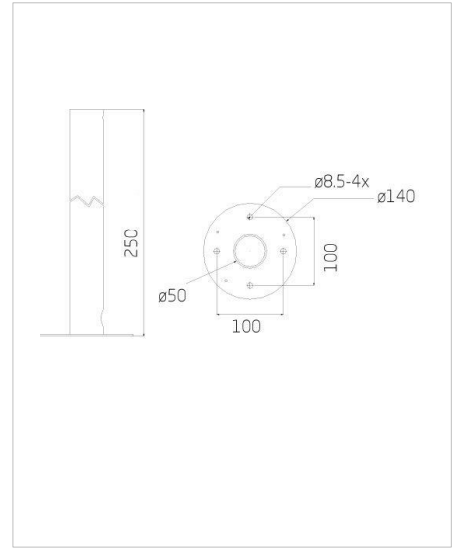
### Straight Tube 25CM

ORION 25CM STRAIGHT TUBE

Dimensions  $\varnothing 50 \times 250 \times \varnothing 140$  mm

Part number 0070-10025

Note: The Orion DX 3 fits to this bracket using Adapter Ring 0070-10105.



### Straight Tube 50CM and 100CM

ORION 50CM STRAIGHT TUBE

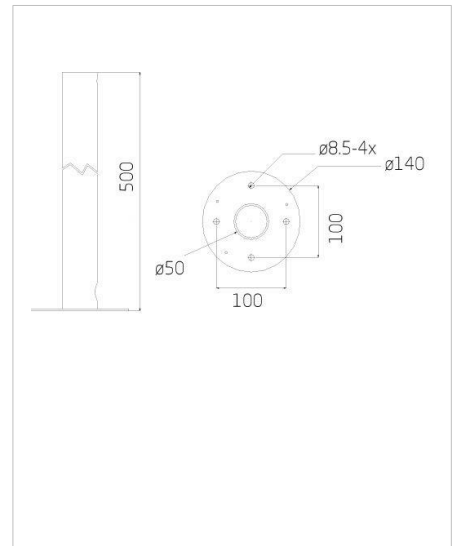
Part number 0070-10050

Dimensions  $\varnothing 50 \times 500 \times \varnothing 140$  mm

Part number 0070-10100

Dimensions  $\varnothing 50 \times 1000 \times \varnothing 140$  mm

Note: The Orion DX 3 fits to this bracket using Adapter Ring 0070-10105.



### Adapter Ring

Threaded Adapter Ring

Part number 0070-10105

(Sold Separately)



## Optional Mounting Accessories

### Pole Mount Thin

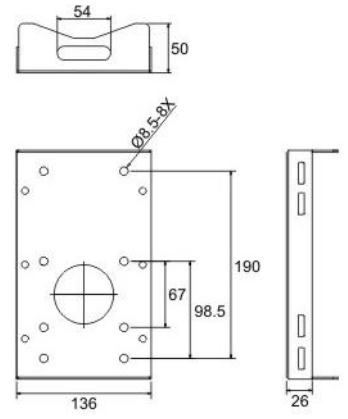
Dimensions: 232×136×60 mm

Diameter: 112~130 mm

Weight: 0.7 kg

Supplied with stainless steel straps x4, M8x16 screw x4, washer x4 and spring washer-8 x4.

Thin: Part number 0070-10002



Unit: mm

### Pole Mounting Wide

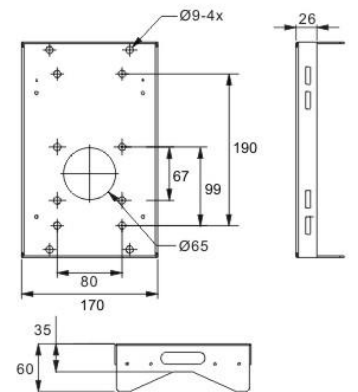
Dimensions: 270×170×60 mm

Diameter: 112~140 mm

Weight: 1 kg

Supplied with M8x16 screw x4, washer x4, stainless steel straps x4 and spring washer-8 x4.

Part number 0070-10003

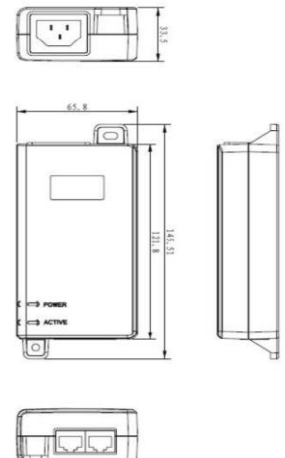


Unit: mm

### Electra POE+

PoE + Injector for low temperatures below -20 °C

Part number: ELECTRA-P2-60W



Follow us on



ONVIF

© 2015 Ernitec. All rights reserved  
www.ernitec.com

Ernitec  
Tempovej 41  
2750 Ballerup  
Denmark



# Technical Specification Orion DX 842OPH

Camera	
Camera type	Outdoor PTZ day / night (ICR Type)
Effective Pixels	1945 (H) x 1097 (V)
Image Sensor	1/2.8" Sony™ IMX327 Sensor
Electronic Shutter Speed	1~1/10.000 sec.
Min. Illumination	0.18 lux Lux (Colour), 0.005 Lux (B/W), F1.6
Day/night switching	Mechanical IR-cut
Video	
Video Compression	H.264 / H.265 and MJPEG
Video Streaming	Up to 4 configurable streams H.265 / H.264 MJPEG
Frame Rate	HDR 30 fps @ 1080P + 30 fps @ 1080P
Resolution	Full HD1080p/ SXGA/ HD720p XGA/SVGA/ D1/ VGA/ CIF/QVGA
Brightness	On / Off
AGC Control	Auto / Manual
White Balance	Manual / ATW/ Auto
Digital Zoom	Yes
UWDR	Up to 120dB
2D / 3D Noise	On/Off
Image Stabilization (ESI)	On/Off
De-Fog	On/Off
Privacy Zone	16
Motion detection	Motion Detection Window x 4 sets
Operation	
Pan Travel	360° endless
Tilt Travel	-10° ~ 190°
Manual Speed	0.5° ~ 90°/s
Presets	256
Preset Resolution	0.225°
Preset Speed	0.5° ~ 400°/s
Sequence	8
Auto-Pan	4
Cruise	8
Proportional Pan & Tilt	On / Off (Pan and tilt speed is proportional to zoom ratio)
Resume after Power Loss	Yes
Home Function	Preset, Sequence, Auto-Pan, Cruise
Zone Title	16
Network	
Network Interface	Ethernet (RJ45) 1 Gbps
Supported protocol	ARP, PPPoE, IPv4/v6, ICMP, IGMP, QoS, TCP, UDP, DHCP, UPnP, SNMP, SMTP, RTP, RTSP, HTTP, HTTPS, FTP, NTP, DDNS
Internet Browser	Internet Explorer (10.0)+
Password Levels	User / Administrator
User Account	20
Event Notification	HTTP, FTP, SMTP

Lens	
Lens type	Motorized with P-iris
Focal Length	4.3-129 mm
Zoom Ratio	30x (12 x Digital)
Focus Mode	Auto / Manual
Iris Range	F1.6-360
Iris	Auto / Manual
Horizontal FOV	67° (wide), 2° (tele)
Vertical FVO	38° (wide), 1° (tele)
General	
OnVif	Yes, OnVif profile S
Edge Storage	SD/ SDXC card slot
Audio	Two-way /G.711 /G.726
Digital In/out	4 /2
Analog Video Output	1Vpp, 75Ω, PAL BNC connector class 2
Power Voltage	PoE+ IEEE802.3at, class 4 DC12V, 2.12A, max 25.4 watt AC24V, max 25.4 watt
Power Consumption	Max. 25W / 55W (w/ Heater)
Power Connector	3 pins terminal block / RJ45
Fan & Heater	Heater 24VAC / POE + 55W)
Fan	Yes
Environmental Casing	Weatherproof IP66 & IK10
Languages	DE, ES, FR, IT, PT, RU, UK
Sustained Operating Temperature	-40°C ~ 50°C (-40°F ~ 122°F)
Operating Temperature	-40°C ~ 60°C (-40°F ~ 140°F)
Absolute maximum 4 hours	
Humidity	10% ~ 90% RH
Dimensions	ø209 x 279mm
Weight (Net)	Approx. 2.9Kg
Warranty	3 years
Included accessories	Quick Guide, Mini Goose Neck Bracket
Part number	0070-05842

Optional accessories	
Gooseneck Bracket thread type	0070-10108
Swan neck Bracket	0070-10109
Mini Gooseneck	0070-10007
Corner Plate Mini	0070-10004
Ernitec 60W PoE Injector	ELECTRA-P2-60W
Orion 25cm Straight Tube	0070-10025
Orion 50cm Straight Tube	0070-10050
Orion 100cm Straight Tube	0070-10100
Pole Thin Direct Mounting	0070-10002
Pole Wide Direct Mounting	0070-10003
Auto Tracking	0070-10015

DISTRIBUTED BY



We reserve the right to introduce product modifications without notice

Follow us on



© 2015 Ernitec. All rights reserved  
www.ernitec.com

Ernitec  
Tempovej 41  
2750 Ballerup  
Denmark

RO2EN0720