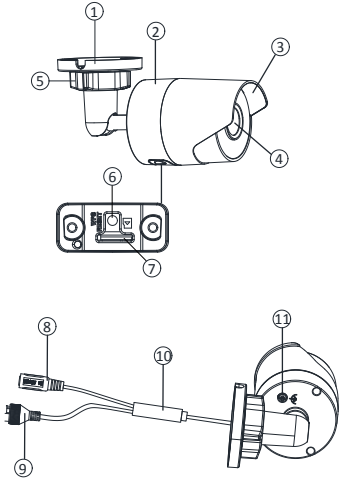


Quick Installation Guide of MV-CLOUD-201 Ernitec Network Camera

This guide is for quick installing and connecting the camera, for more details, please refer to the User's Manual of the camera

Camera's Connectors



No.	Description	No.	Description
1	Mounting Base	7	microSD Card Slot
2	Main Body	8	Power Supply Interface
No.	Description	No.	Description
3	Sun Shield	9	10/100M Self-adaptive Ethernet Interface
4	Lens	10	PoE Cable
5	Adjusting Nut	11	GND Screw
6	WPS/RESET Button		



Press RESET about 10s when the camera is power on or rebooting to restore the default settings, including the user name, password, IP address, port No., etc.

Setting the Network Camera over the LAN

Please connect the camera to the Internet Box according to the following figure



How to Download "Ernitec Cloud" App on IOS/Android

To use
download
(Android)



Ernitec App for Android

the mobile application "Ernitec Cloud", you should it with two ways:
Searching "Ernitec Cloud" from the Google Play or from the App Store (IOS).



Ernitec App for IOS

Register Camera with scan of the QR Code

You can register your camera with scanning the QR code from "Ernitec Cloud" App on IOS/Android using your smartphone or your iPhone equipped with an application to read QR codes. Once you scan the QR Code existing on the sticker of camera box, the link of download application appears on the screen of your smartphones or your iPhone.



QR Code

Wifi Network Setup

You can connect the camera with network cable or with Wi-Fi.

To connect camera with Wi-Fi, there are two methods:

- **With WPS button:**

You can use this method if your internet Box is equipped with the WPS button.

Steps:

1. Power on the camera.
2. Press the WPS button on the Internet Box.
3. Press the WPS button on the camera.

- **With “Ernitec Cloud” Mobile App Or Ernitec-Cloud website**

Steps:

1. Connect the camera to the internet box, by using the network cable provided in the camera box.
2. Register the camera.
3. From the website Ernitec-Cloud, or with the mobile application, go to the camera setting, the Wi-Fi setting.
4. Select the Wi-Fi network from the list.
5. Enter the Wi-Fi password and apply.
6. If the Wi-Fi is connected, you will get a success message, otherwise come back to the step 4.



IP Bullet network camera Quick Start Guide **MVCLOUD-201**