



Titan Housings

CHM Series

- Aluminium Camera Housings
- Made in Denmark
- Classic Danish Design
- Simple Installation
- Optional Sunshield
- Unique Sunshield Design
- Salt Water Resistant
- Optional Heater / Demisters
- IP67 Rated
- 10 Year Warranty

Aluminium Housing

Manufactured from high quality extruded, anodised aluminium, with reinforced thermoplastic end caps, these camera will enhance the appearance of any CCTV installation, whilst giving a high degree of protection to the camera and lens.

Sizes

Available in 4 lengths, from 200mm to 350mm the CHM housings can be supplied with an optional integral heater, demisters and power supply.

Simple Installation

Installation and service is simple as clever grooves which are part of the extrusion allow the mounting plate to sit on top of the housing giving easy all-round access.

Extreme Protection

The CHM range of housings are IP67 rated and coated with a specially formulated aluminium anodisation which is salt resistant making these housings ideal for marine applications as well as more conventional CCTV applications.

High Temperature

The camera housings are available with a specially designed sun shield which not only emphasizes the aesthetical appearance as well as protecting the camera in extreme heat to +55°C

10 Year Warranty

Thousands of our housings are installed all over the world from the cold environment of Finland down to the heat in the desert of Saudi-Arabia and all still looking as good as when they were first installed. This is why we can offer a 10 year warranty.

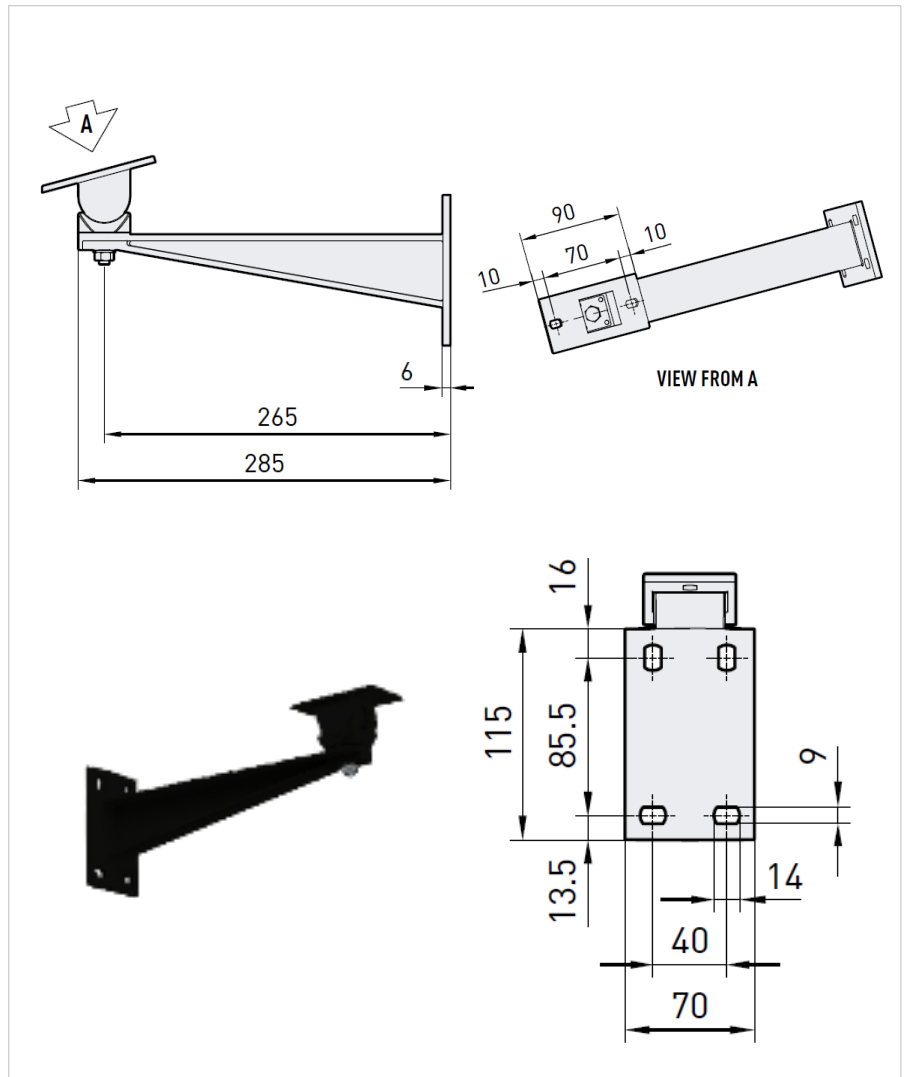
Optional Accessories Titan Housings

Wall Mount Bracket

Dimensions: 285×115×70 mm

Load Rating: 25 kg

Part number 0025-01093



Heater for Housing

HTA-N-230, Constant power

110V - 240V AC

Part number 0025-07735

HTA-N-24, Constant power

12 - 24V AC / DC

Part number 0025-07740



Optional Accessories Titan Housings

Front Cover

Front cover with Glass for CHM

Part number 0025-07905



Housing Gasket

Replacement gasket for CHM
2 per housing

Part number 0025-07915



Camera PSU for Housing

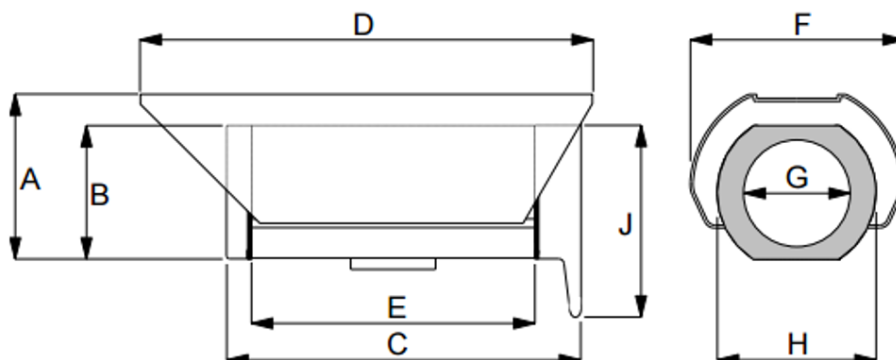
ECCD-PS, Camera PSU
240V AC to 12V/24V DC 0,8Amp

Part number 0025-07804



Technical Specification

Type Excluding Sunshield	CHM-200	CHM-250	CHM-250T	CHM-300	CHM-350
Outside Dimensions (mm)					
A	116	116	-	116	116
B	99	99	99	99	99
C	250	300	300	350	400
D	307	357	-	407	457
D (Long Sunshield)	430	480	-	530	593
F	148	148	-	148	148
G	64	64	64	64	64
H	117	117	117	117	117
J	141	141	141	141	141
Inside Dimension (mm)					
Length (E)	200	250	250	300	350
Width	80	80	80	80	80
Height	73	73	73	73	73
Weight					
approximate (kg)	1.86 kg	2.15 kg	1.54 kg	2.38 kg	2.57 kg
Note			Top Mount		
Type Incl. Sunshield	CHM-200M	CHM-250M	N/A	CHM-300M	CHM-350M
Part Numbers					
Housing	-	0022-06000	0022-06010	-	-
Sunshield	0022-05001	0022-06001	-	-	-
Housing With Sunshield	0022-05002	0022-06002	-	0022-07002	0022-07005
Housing Set incl Housing, Bracket & Heater	-	0022-06040	-	0022-07050	-
White Version	-	0022-06060	-	-	-



We reserve the right to introduce product modifications without notice

Follow us on



© 2015 Ernitec. All rights reserved
www.ernitec.com

Ernitec
Tempovej41
2750 Ballerup
Denmark

RO3EN0717